

APPLICATION:

PRODUCT NAME:
4" C/C REMOTE CONTROL VALVE

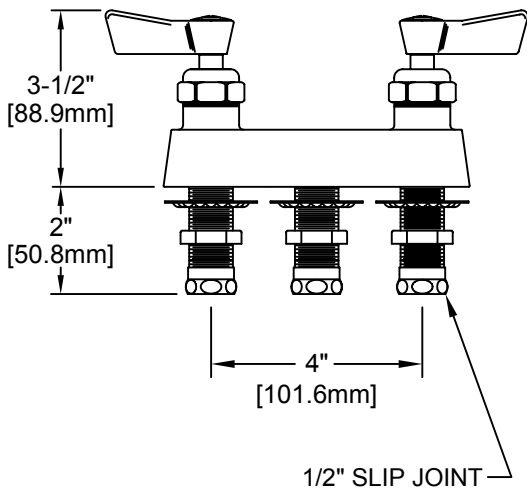
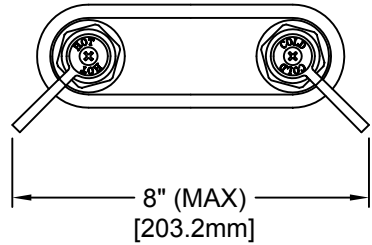
JOB NAME:

_____ SPECIAL CONFIGURATION
 (CHECK BASE MODEL AND OPTIONS)
 MODEL:
 2805

QUANTITY:

ITEM NO.:

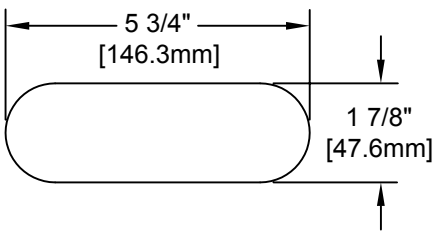
OPTIONS OR MODIFICATIONS:
 OTHER _____



- FEATURES:
- * 4" C/C REMOTE CONTROL
 - * SWIVELING SEAT DISKS
 - * HOT SIDE STEM - RIGHT HAND
 - * COLD SIDE STEM - LEFT HAND
 - * STAINLESS STEEL SEATS
 - * STAINLESS STEEL SEAT SCREWS
 - * STAINLESS STEEL HANDLE SCREWS
 - * 1/2" SLIP JOINT

SHIPPING WEIGHT
 * 3.25 LBS

FOOTPRINT:



ROUGH-IN:

